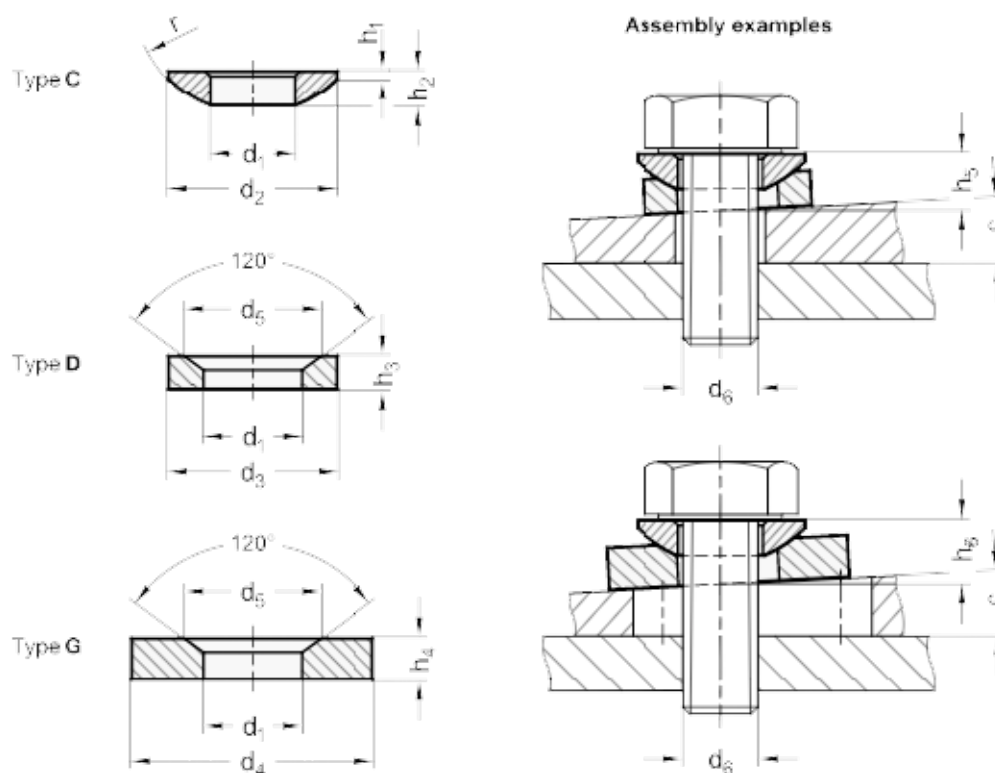


Article number: 20807027

Description: E+G Spherical washer, female
DIN 6319-28-G

Measures



$d_2 = 28.0$

$d_4 = 60$

$d_5 = 37.0$

$d_6 = M24$

$H_3 = 10.0$

$H_4 = 15.2$